

Sommerhuber Hamam table soft inserted into wall

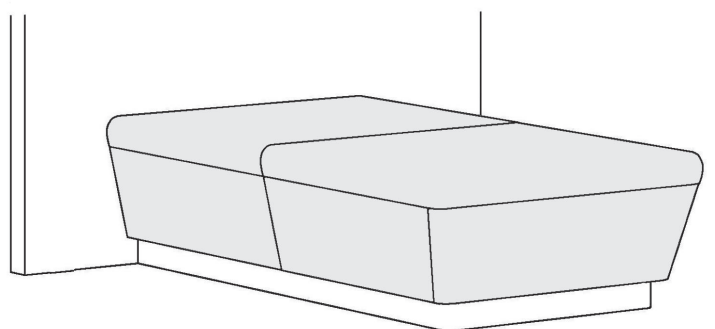
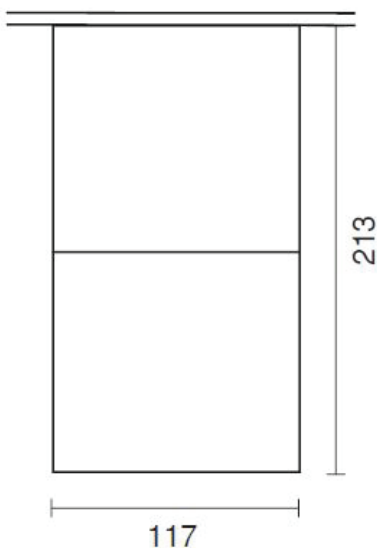
Hamam table with soft-edged, large-area heat storing ceramics consisting of a lying area with 1 transverse joint only and ceramic side elements in a coning shape. Velvety soft ceramic surface with optimal hygiene aspects. Thanks to specific characteristics heat storing ceramics emit mild areal infrared warmth, which enhances blood circulation and results in superior relaxation and maintaining of vitality.

Descriptive size: W/L/H ~ 213/117/60 cm
Article no.: 694 901

Delivery in separate components.

Available in 18 different glazes.

- Consisting of 2x Bench, 4x side elements, 1x plinth
- Standard width of joints ~ 3 mm
- Individual cutting to length in accordance to exact measurements
- Surface temperature ceramics: uncovered up to max. 50°C. Recommended temperature: ~ 34°C +/- 2°C
- Optional: LED illumination



All measurements in cm

This product is maintenance free.

For proper cleaning please use only cleaning agents with PH value between 5.0 - 9.0. Please use soft cleaning clothes only. Abrasive brushes or high-pressure cleaners could damage the glazed surface.