

Sommerhuber Additional part to oval size for water fittings

The additional part for water fittings is made of heat storing ceramic and enlarges the round foot basin to an oval shape. It is made in one single piece without joints, glazed inside and outside over the entire surface and has a coning form.

Descriptive size: L/W/H ~ 49/15/30 cm

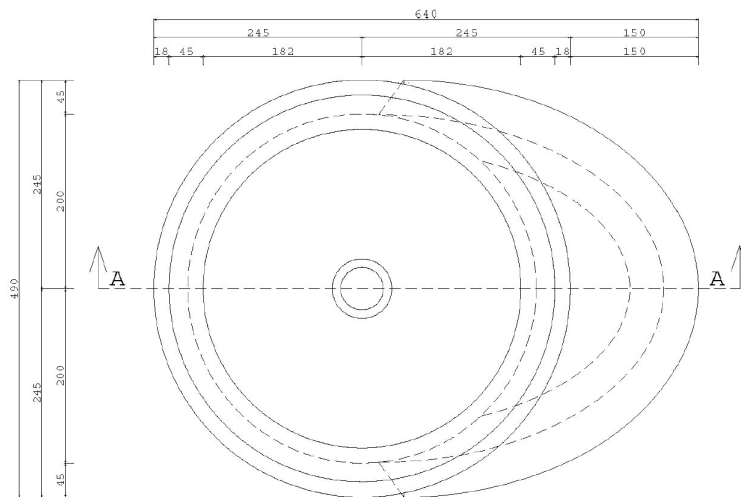
Weight: ~ 10 kg

Article no.: 651 264

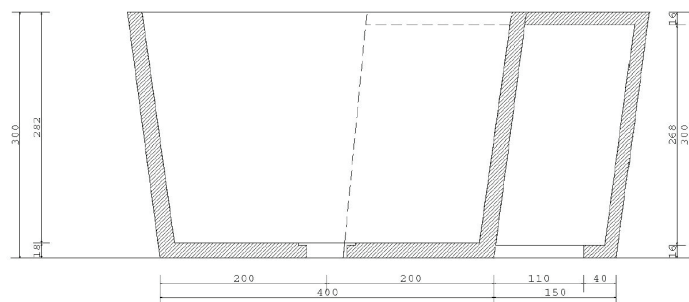
Available in 18 different glazes.

Please note, for technical reasons this element is not available in 318 outback, 436 sandstone medium, 458 savanna medium and 461 alabaster matt.

- To be mounted directly on the floor with stripes of silicone
- Drain tap to be built on site
- Optional sharp-edged holes according to exact measurements



Floor plan



Cut 1-1

Measurements are nominal sizes.
All measurements in mm

This product is maintenance free.

For proper cleaning please use only cleaning agents with PH value between 5.0 - 9.0. Please use soft cleaning clothes only. Abrasive brushes or high-pressure cleaners could damage the glazed surface.